

ML-1430 / ML-1430.SCI

**MAXLOGIC INTELLIGENT ADDRESSABLE SYSTEM SOUNDER & BEACON /
SHORT CIRCUIT ISOLATOR**



ML-1430 & ML-1430.SCI (short Circuit Isolator) Maxlogic addressable sounder & beacon, is used to provide audible and visual alarm. Sounder is compatible with VIP communication protocol. Sounder has aesthetic design. It is loop powered.

PRODUCT FEATURES

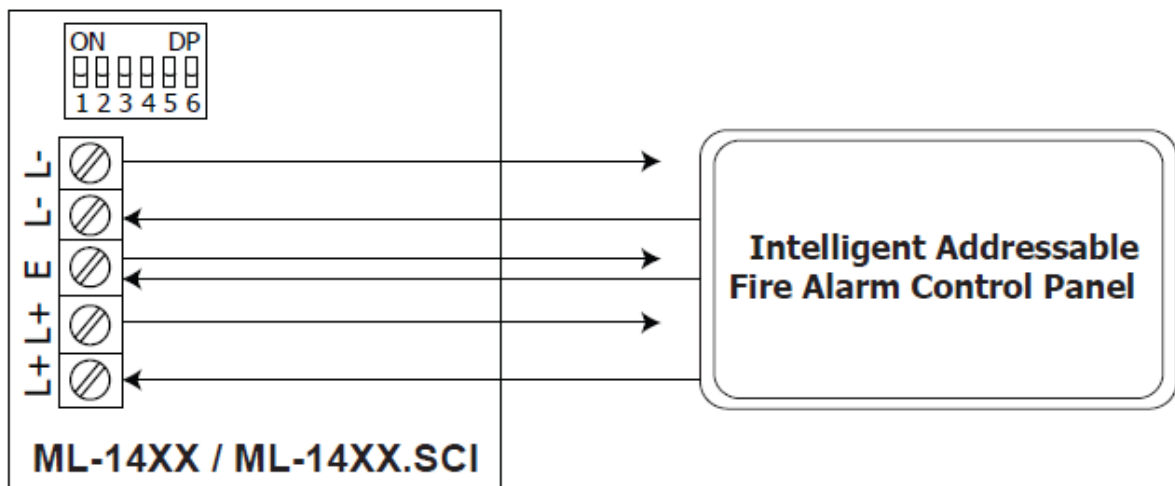
- Compatible with EN 54-23 and EN 54-3 standard
- Isolator model is compatible with EN 54-17
- Aesthetic design for indoor use
- 'Soft' addressable by use of address programmer
- Sounder strobe can be programmed easily by loop manager
- Flasher light is scattered as cubic shape
- White, strong LED flasher
- Low or high voice power control
- Sounder strobe can be set as different 32 voice tone
- Able to integrate into the cause effect scenarios
- Compatible with MAXLOGIC series addressable panels
- Up to 90 dB(A) voice output power
- Microprocessor controlled
- Production by surface mount technology
- User friendly
- High and stable operation performance

TECHNICAL SPECIFICATIONS

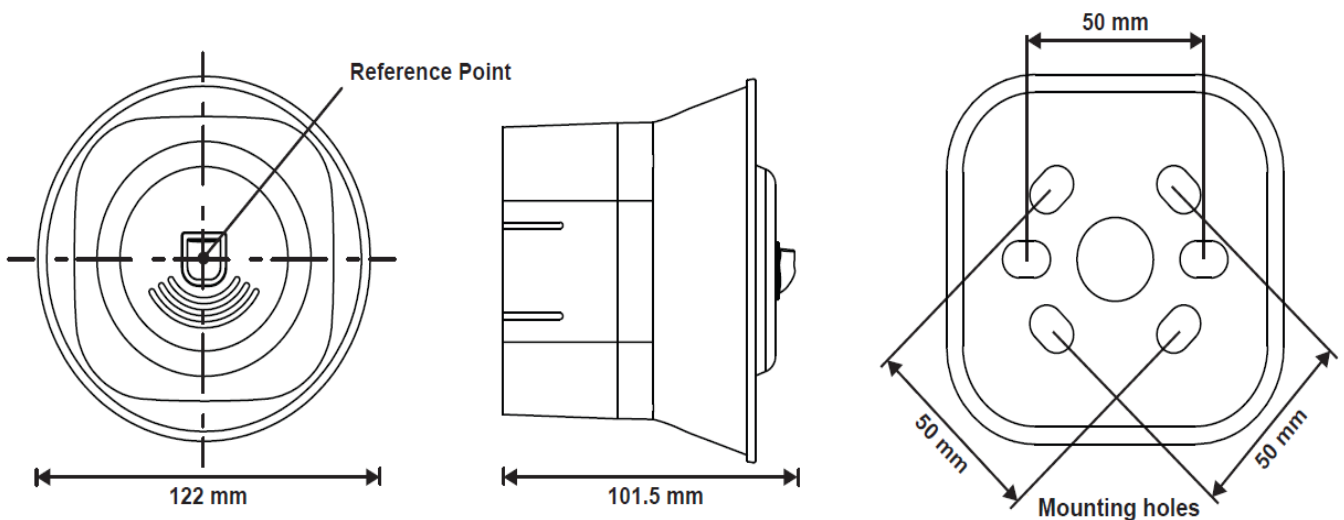
Electrical Specifications	
Supply Voltage	Loop Powered 18-33V DC
Alarm Current (max)	11,7 mA
Power (max)	0,38 W
Voice Specifications	
Voice level @1m	High volume level: 90 dB(A)
	Low volume level: 75 dB(A)
Quantity of Tones	32
Flasher Specifications	
Coverage area	2m
Flash frequency	0,5Hz
LED Color	White
Mechanical Specifications	

Construction	PC +ABS
Dimension (mm)	122 x 122 x 101,5 mm
Weight	217 gr
Mounting type	Wall type (Type A)
Mounting height	2,4m
Color	Red
Cable	1x2x0.8+0.8JH(st)H / 1x2x1.5+1.5JH(st)H
Environmental Specifications	
Protection Class	IP21C
Operation Temperature	(-10°C) - (+55°C)
Storage Temperature	(-30°C) - (+60°C)
Max. Relative Humidity	%95 (+40°C non-condensing)

CABLE CONNECTION



DIMENSION



* Sounder & Beacon should be mounted that the direction line is aligned with the down.